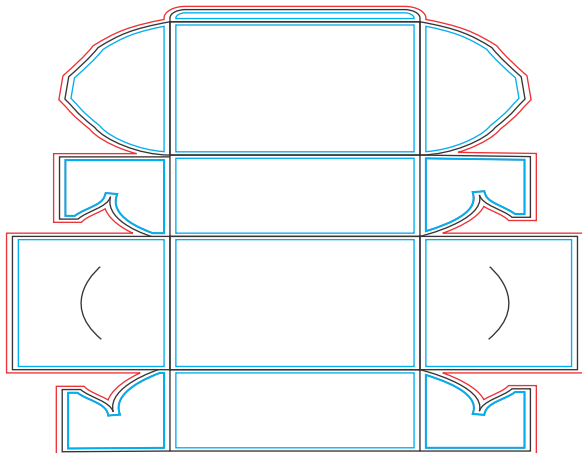




All templates are subject to an expert review. Depending on the cardstock /substrate used this template may require slight adjustments. For professional help please call contact us.



Cutting Line: \_\_\_\_\_

Folding Line: \_\_\_\_\_

